

Hargray Digital Television

Digital Transport Adapter



Contact us 1.877.HARGRAY | hargray.com



Internet | Television | Telephone

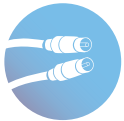
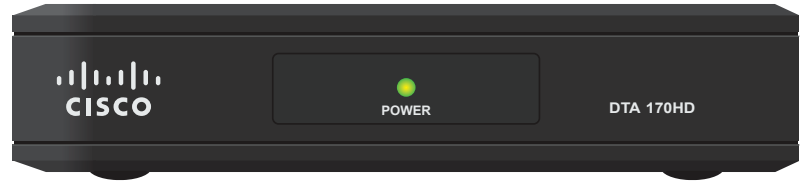
Ver la Guía en español en el reverso.

Included in this Kit

Digital Transport Adapter (DTA)

You'll be connecting the DTA to the cable wall outlet and to your TV.

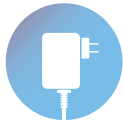
Note: Each TV will need to be connected to a Hargray DTA or a Hargray Set Top Box, but not both.



Coax Cable



HDMI Cable



Power Cord



Remote Control



2 AA Batteries



IR Extender
Receiver



Adhesive
Fasteners



Internet | Television | Telephone

Installation and Activation Steps: Television

1 Connect the DTA to the Cable Outlet

- Turn off your television.
- Locate the coax or coaxial cable that currently runs from the cable wall outlet to the back of your television.
- Leave one end of the cable connected to the wall, but disconnect the other end from the back of your television.
- Reconnect this end of the cable to the “Cable In” input on the back of the DTA.

2 Connect the DTA to the Television

If Your Television is Standard Definition:

- Find the 3-foot coax cable included in this kit.
- Connect one end of the cable to the “To TV” input on the back of the DTA.
- Connect the other end to the “Cable In/RF In” input on the back of your television.

If Your Television has an HDMI Port:

- Connect the HDMI cable from this kit to the “HDMI” output on the DTA.
- Connect the other end of the cable to the “HDMI” input on your television.

3 Power Up

- Plug the round end of the power cord into the “Power” input on the back of the DTA.
- Plug the other end into a live power outlet or surge protector.

4 Set the Channel

If Your Television is Standard Definition:

- Turn on your television and tune it to Channel 4.
- Set the switch on the back of the DTA to Channel 4.

If Your Television has an HDMI Port:

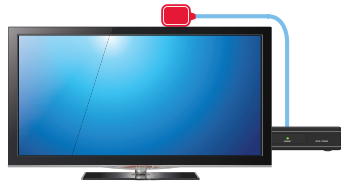
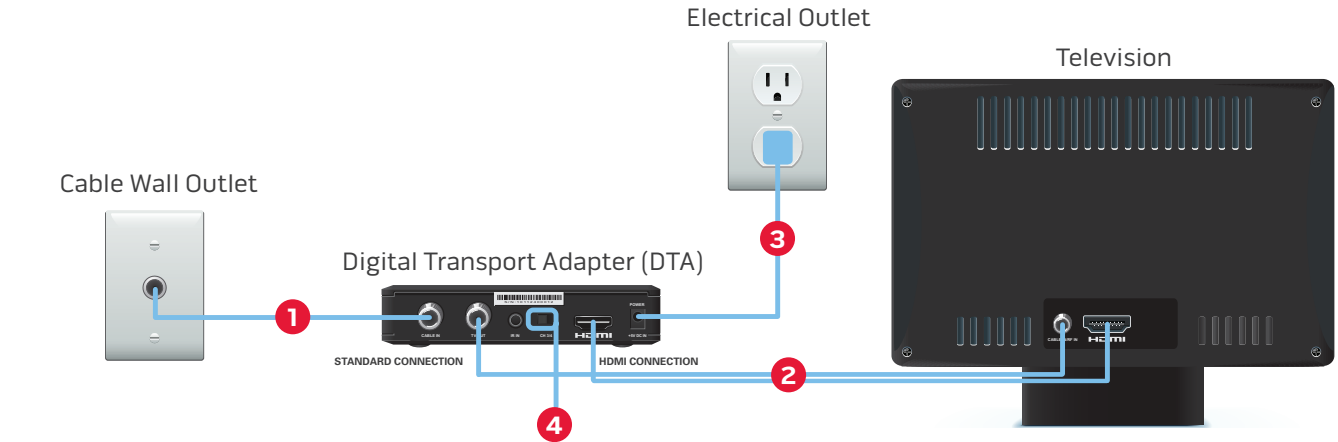
- Make sure to set TV to choose HDMI as input source.

5 Confirm Your Service

- After completing activation, wait a few minutes. DTA could take up to 15-20 minutes to load.
- Make sure your television is on.
- Confirm that the DTA is connected to the power outlet and that the light on the front is solid (not blinking).
- Using the remote control to operate your DTA, scroll through your channels and make sure they are all working.

Note: If you have connected your DTA to your TV and it has not loaded after 20 minutes, please see instructions on Page 4 for refreshing your service. If the light is blinking or your channels are not showing up, turn to the Troubleshooting section of this guide.

Installation and Activation Diagram



Using the IR Extender Receiver

If you want to hide the DTA behind the TV, or if the DTA will not reach the front of the TV, you can hide it and use the IR Extender Receiver. Plug the smaller end of the IR Extender Receiver into the "IR In" port on the back of the DTA. Position the other end of the IR Extender Receiver where it can be seen from the front of the TV. Make sure the adhesive fasteners don't cover your TV vents to avoid overheating.



Internet | Television | Telephone

Refreshing Your Service

If the DTA has not completed loading after 20 minutes, your service may need to be refreshed. To refresh your service, visit us online at hargraytelevision.com/activate or call our automated DTA activation line toll-free at 866.531.0177.

Getting Started

Before you begin, you will need a copy of your Hargray bill. In the top right-hand corner of the front page of your bill is your 10-digit account number. You will need this account number to refresh your DTA. If you are unable to locate your account number, please call 1.877.HARGRAY for assistance. If you are refreshing your DTA online, you will also need the MAC address from the bottom of your DTA.

Instructions for Refreshing Your Service Online

In order to refresh your service online, visit us at hargraytelevision.com/activate.

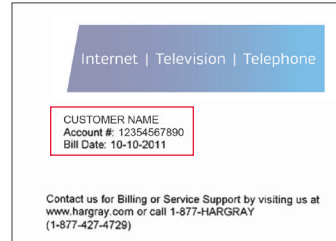
Enter your account number from your Hargray bill and the MAC address from the bottom of your DTA. The MAC address is case sensitive and must be entered in ALL CAPS without any punctuation (e.g., if the MAC address is listed as 12.BF:34:56:78.12, you would enter 12BF34567812). Please note that it may take up to 30 minutes for the refresh to complete.

Instructions for Refreshing Your Service Via Phone

In order to refresh your service over the phone, call us toll-free at our automated DTA activation line at 866.531.0177. You will be prompted by the automated system to enter your 10-digit account number from your Hargray bill. Please note that it may take up to 30 minutes for the refresh to complete.

Important Note About Refreshing Your Service

When you refresh your DTA, all other Hargray Set Top Boxes and/or DTAs in your home also will be refreshed. This should not interrupt your ability to view programming, and recordings scheduled on your DVR will not be impacted. However, the refresh will cause the interactive channel guide to reload. This reload could take up to 30 minutes to complete. If you experience any difficulties and require additional technical support, feel free to contact our local support professionals at 843.686.1138.



Remote Control Functions



DTA POWER–Turns Digital Adapter on and off once the remote has been programmed.

TV POWER–Turns TV on and off once the remote has been programmed.

INFO–Press to display current channel information.

LAST–Press to return to the last previously viewed channel.

MENU–Press to display Menu screen.

CHANNEL–Use CH+ to advance one channel and CH- to go back one channel.

NAVIGATION KEYS–Press to move cursor UP, DOWN , LEFT and RIGHT.

ENTER–Press to select the item the cursor is pointing to.

EXIT–Press to exit on-screen menus.

PAGE–Moves the menu up and down by page.

VOLUME–Use VOL+ to raise volume and VOL- to lower it.

MUTE–Press to turn sound on or off.

PROG–Press to program the remote.

Troubleshooting

If the remote control does not work:

- Make sure the batteries are inserted correctly.

If there is no light illuminated on the front of the DTA:

- Make sure the power cord is attached to the DTA and plugged into a live electrical outlet.

If you have connected your DTA to your TV and it has not loaded after 20 minutes:

- Please see instructions on Page 4 for refreshing your service.

If there is no picture on the TV and the light on the DTA is blinking:

- Wait a few minutes. If the light is still blinking, call Hargray toll-free at 866.531.0177.

If there is no picture on the TV and the light on the DTA is solid:

- Make sure the TV and DTA are both set to the same channel (both should be set to Channel 4).
- If you're also connected to a VCR, make sure the VCR is turned on.
- Make sure the DTA is connected directly to the cable outlet in your wall.
- Make sure all the cables are firmly connected.

If the audio is in a language you don't expect to hear:

- You may have accidentally changed it to an alternate language option. Press the Menu button, scroll down to Language and press Enter, then select Audio and press Enter. Finally, choose the language option you want (English, Spanish, French) and press Enter.